

ACR-005IN52 All-in-1 Card Reader/Writer User Manual

Thank you for purchasing ATake's Aluminum All-in-1 USB Card Reader. This USB Card Reader is the most powerful and multi-functional device among all the available readers, since it is able to access almost all the available storage cards including: 3.3V SmartMedia Card, Type I/II CompactFlash Card, IBM Microdrive, Memory Stick, Secure Digital Card, and MultiMedia Card.



Features:

- USB 1.1 interface; Access speed up to 12 Mbits/second.
- USB bus powered. Hence, AC power adapter is not required.
- Supports Hot-Swapping and Mass Storage Class Drive; no drivers needed under Windows ME/XP.
- Includes POWER and ACCESS LED indicators.
- Different sockets can be used at the same time.
- Supports the following storage cards:
 - 3.3V SM/Type I&II CF/IBM Microdrive/SD/MMC/MS
- Supports the following operating systems:
 - Windows 98/98SE/ME/2000/XP
 - Mac OS 8.6+, 9.x+, 10.x Operating Systems

Product Specifications:

Product Size	78.6x50.6x15mm LxWxH)
Interface	USB2.0/USB 1.1
Rated Voltage	DC 5V (USB port power supply)
Working Current	95 mA
Supported Card Type	SD/MMC CF XD/SM MS
Maximum Transmission Bandwidth	Reach 480Mbps
Material	Aluminum alloy + ABS
Product Weight	56g
Environmental Temperature	0°C ~ 70°C
Humidity	10%~ 90%

Supplied with the product:

In the package of USB Card Reader, you will find following items. Please contact your local dealer if there are any items missing.

- One Multi-Card Reader/Writer
- USB Power Cord
- User's Manual
- Warranty Card

Supported Memory Cards' List

XD	T-Flash	SM	MS Select	SD	Mini SD	Extreme SD
Ultra II SD	MMCI	MMCII	RS-MMC	MMC 4.0	Ultra MMC	HS RS MMC
MS-Pro	MS-Duo	MS Pro Duo	Extreme MS Pro	Extremelll MS Pro	HS MS-MG Pro Duo	MS-MagicGate
MS-MG-Duo	MS-MG-Pro-Duo	MS-ROM	HS MS-MG Pro	Micro Drive	Ultra II MS Pro	CF1
Extreme CF	Extremelll CF	Ultra II CF	HS CF	Extremelll SD		



ACR-005IN52 All-in-1 Card Reader/Writer User Manual

Hardware Setup

Refer to following instructions to connect the USB Card Reader.

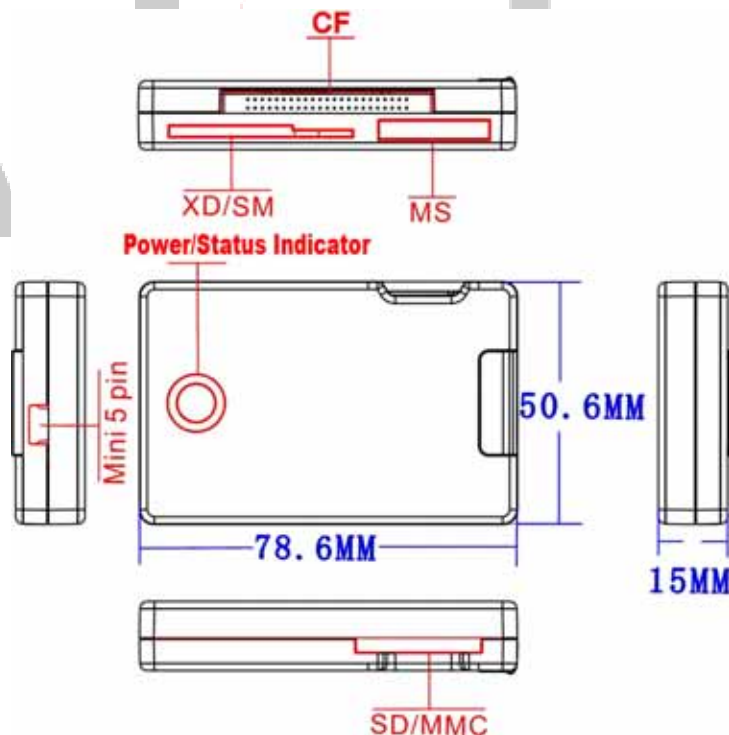
1. Connect USB cable of your reader unit to the available USB port of your computer.
2. Your computer automatically recognizes the USB Card Reader.
3. Double click on **My Computer**. You will see **four Removable Drive letters** representing the sockets in the USB Reader as shown below. **Note:** When you format the cards, you can rename the cards as "CF", "SD", "SM" and "MS" to help you distinguish the cards on your computer.
4. The installation of your USB Card Reader is now complete.

Sockets

CF Socket	Type I&II CompactFlash Card/IBM Microdrive (Insert with Label facing Up)
XD/SM Socket	3.3V SmartMedia Card (Insert with Gold contacts facing Up)
MS Socket	Memory Stick (Insert with Label facing Up)
SD/MMC Socket	Secure Digital Card/MultiMedia Card (Insert with Label facing Up)
Mini 5-pin Jack	USB Power Cord

Indicator

One active LED indicator is used to display operation status of your USB Card Reader. The LED lighting indicates that the reader is connected to system and the power is on. The flashing LED indicates that the reader is reading or writing data in inserted cards.



WARNING!

Do not insert or extract storage cards while the red LED is flashing which indicates that the device is being accessed by the computer.